

Description and application

Set CzS-A+PWR is used as an air intake ventilation installation system, both gravity and mechanical. Rectangular wall external intake louvre used in ventilation installation intake and exhaust as the end of air intake pipes and ventilation holes in the walls of buildings or directly on the duct. The special shape of the louvres / blades protects air intake hole before atmospheric precipitations. In standard used is protective mesh that protects before the bird, rodent and larger impurities (like the leaves) inside the installation. From the side of room / interior there is the damper that allows for adjusting the air flow.

Intake wall louvres and duct dampers have hygienic certificate HK/K/0522/02/2016 and HK/K/0522/03/2016

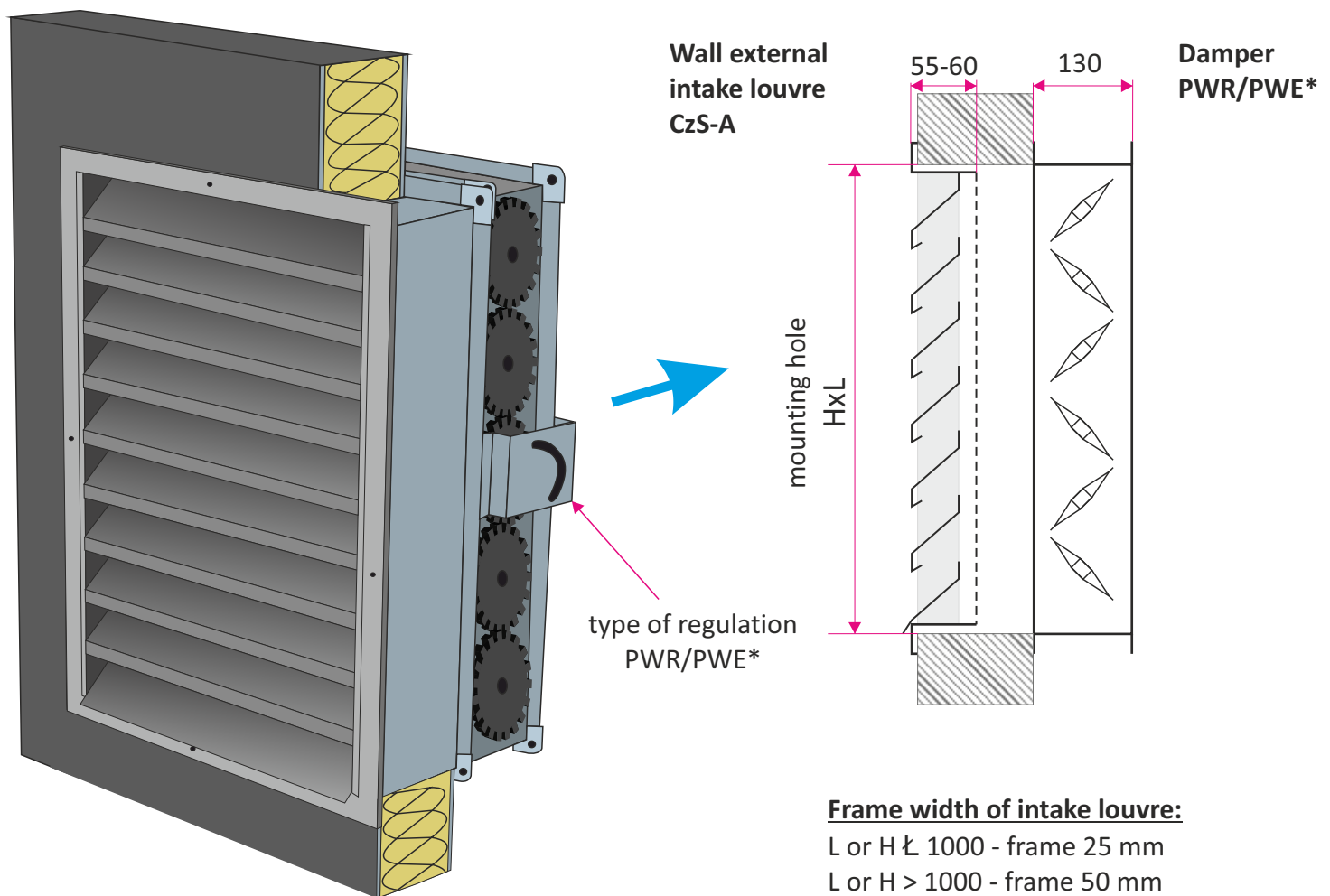
Size

Intake louvre are manufactured to order. Intake louvre dimension by the customer request.

L - width of the mounting hole

H - height of the mounting hole

SIDE CROSS SECTION



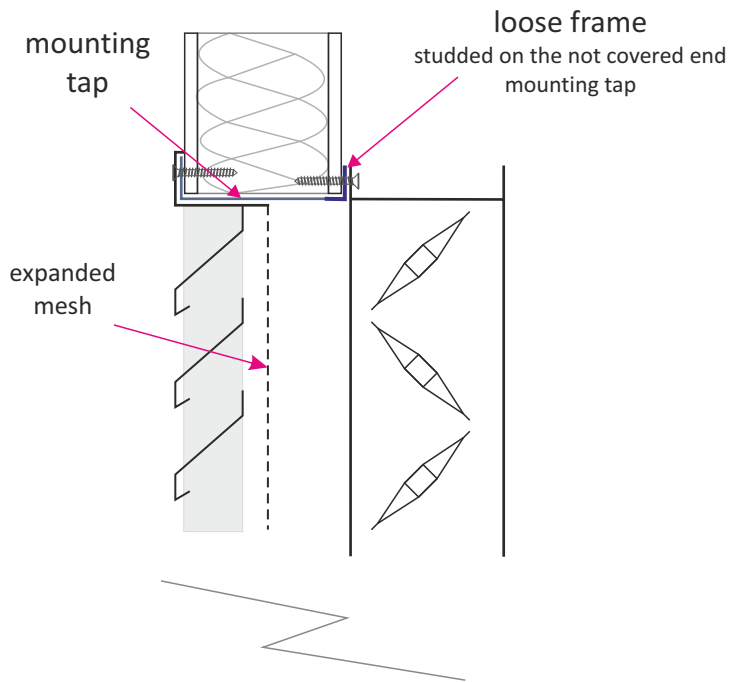
* PWR - damper with manual control

PWE - damper with adjustable by an actuator (Belimo)

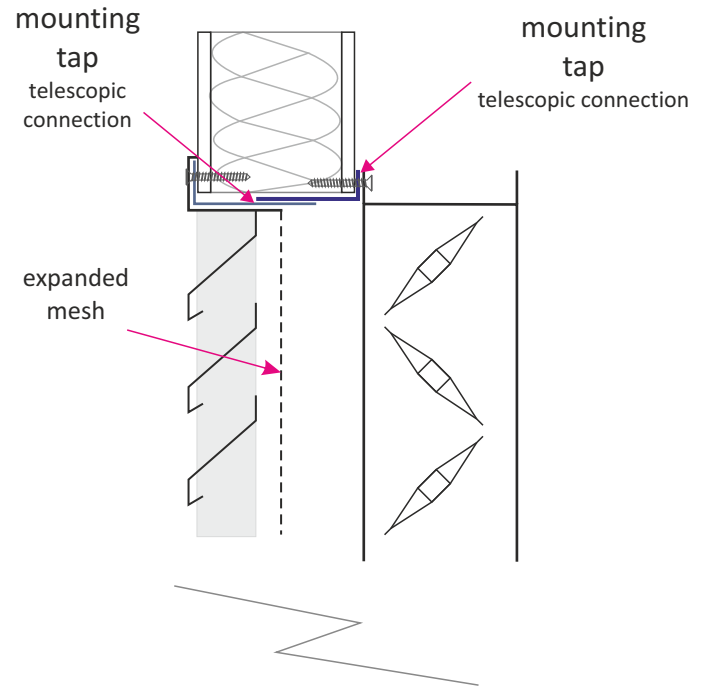
Methods of mounting

Here are the ways of the installation the supply air set, depending on the type of building component.

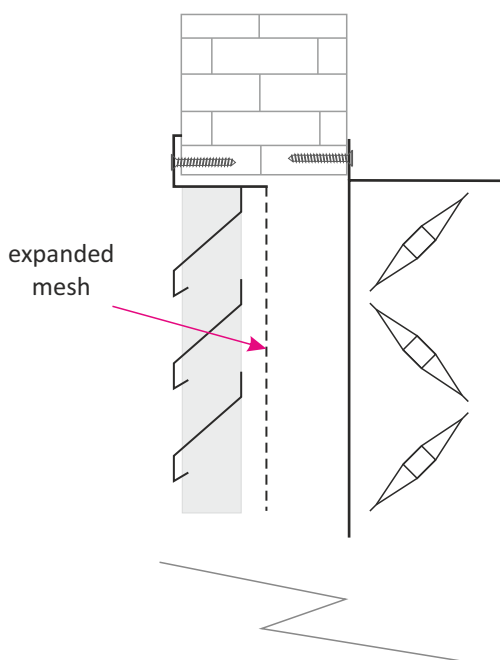
Mounting in layered plate with mounting tap and a loose frame (W2)



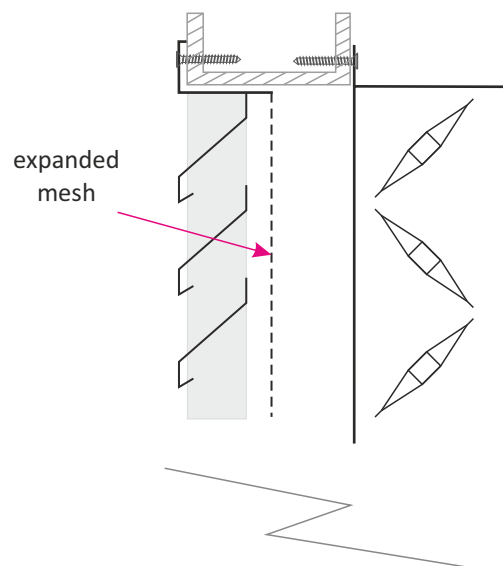
Mounting in layered plate with mounting taps (W3)



Mounting in the brick wall or in a concrete (W1)

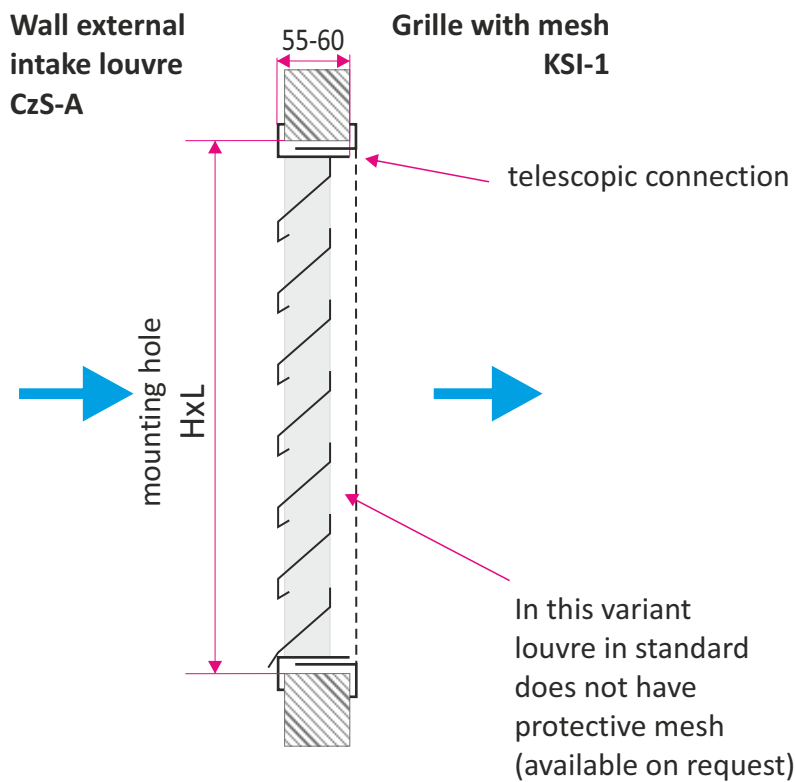
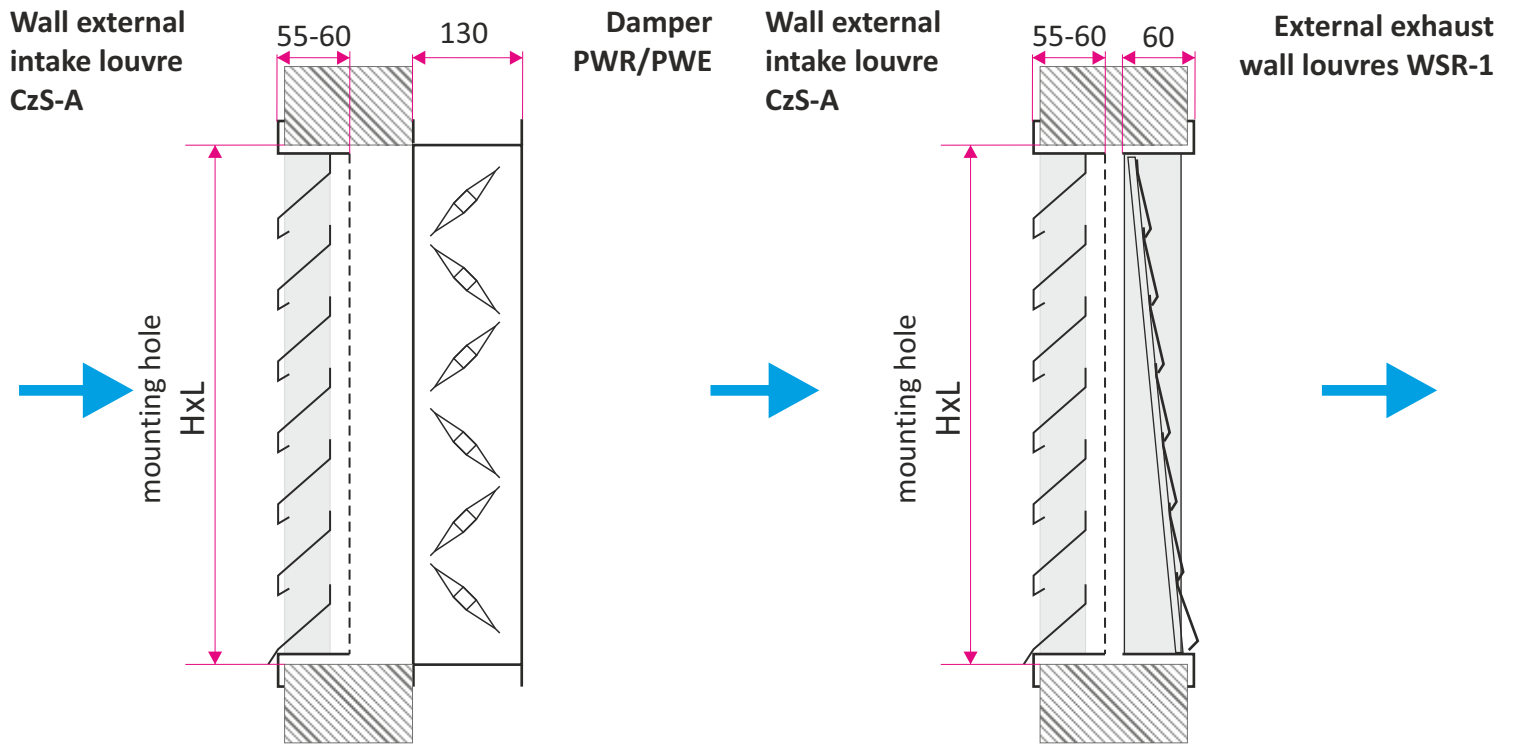


Installation in the steel construction (W1)



Variants

Below are examples variants of the components of the supply air sets.



The method of placing an order

Please make orders according to the following formula:

ZN: 'Ez'+ 'Ew' / 'LxH' / 'RAL₁' / 'RAL₂' / 'L₁' / 'M' / 'W'

'Ez'	- external element
'Ew'	- internal element
'LxH'	- mounting hole size (width x height) in mm
'RAL ₁ '	- color of the external element according to the RAL palette (standard RAL9006*)
'RAL ₂ '	- color of the internal element according to the RAL palette (for PWR - none)
'L ₁ '	- wall depth in mm
'M'	- material: OC - powder coated steel* AL - aluminum KO - stainless steel / acid proof steel (1.4301 or 1.4404)
'W'	- mounting option: W1 - visible assembly with screws through the holes in louvre front frame* W2 - assembly using an additional mounting frame and channel frame W3 - assembly using a telescopic channel

Example: ZN: CzS-A+PWR/ 1000x1000 / 9006 / - / 150 / OC / W2

* - If you don't give the information will be used standard parameters.