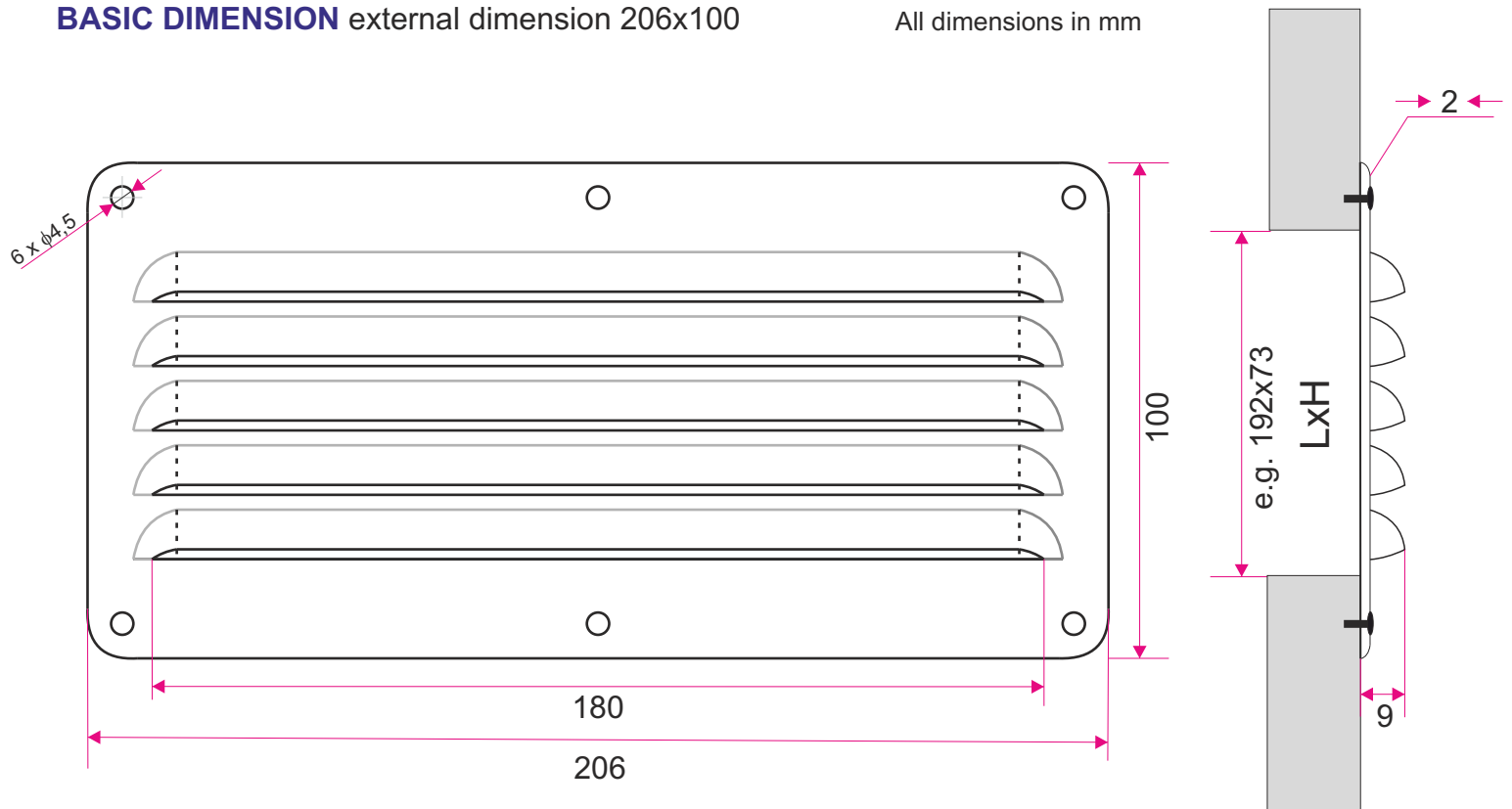


BASIC DIMENSION external dimension 206x100

All dimensions in mm



Description and application:

Pressed grille KT-2 have the function of supply and exhaust and equalizing-air flow. Grilles have still embossed blades.

Application:

- On the cover machinery and mechanical appliances and electronic provide airflow / cooling
- On the wings of the door
- Directly to the ventilation ducts and ventilation chimneys.

Due to its construction (sheet thickness) the pressed grilles are used in areas exposed to mechanical damage.

Grille has Hygienic Certificate HK/K/0522/02/2016

Material and workmanship

Material:

- aluminum 2mm.

Workmanship:

- powder coated (standard RAL 9016)
- any RAL color
- satin aluminum

Size:

Is possible to make grille in different dimensions (multiple embossments) both horizontally as well as vertically. The width of the frame fits to the individual requirements in place of assembly (specify when ordering).