

Description and application

Ceiling diffusers are designed for gravity ventilation, low and medium pressure systems and air conditioning systems, air intake and exhaust. For assembly on rectangular ventilation ducts, plenum boxes and suspended ceilings. The air flow adjusted with a damper with counter running blades GP located directly behind the anemostat or single-leaf damper P on plenum box spigot. Diffusers enable the directing air flow in 1-, 2-, 3- and 4 sides (example on card AN).

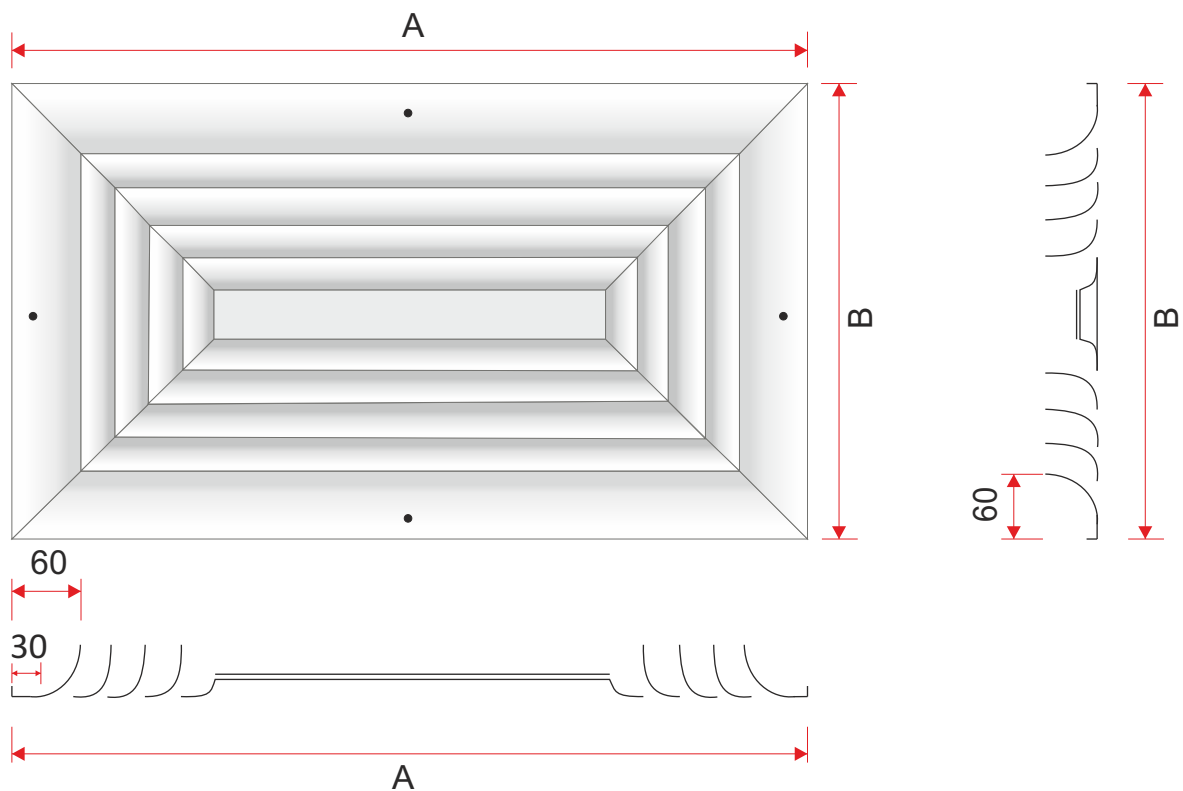
Intake anemostat diffuser has Hygienic Certificate HK/K/0522/01/2016

Material and workmanship

Anemostats are made of galvanized sheet steel powder coated, standard on the white color 9016. On customer request can be powder coated to any color from the RAL palette and special execution of stainless steel or aluminum.

Size

The anemostat diffusers are manufactured on order. Examples dimensions of the diffusers are given in the table (possible to make the size specified by the customer).

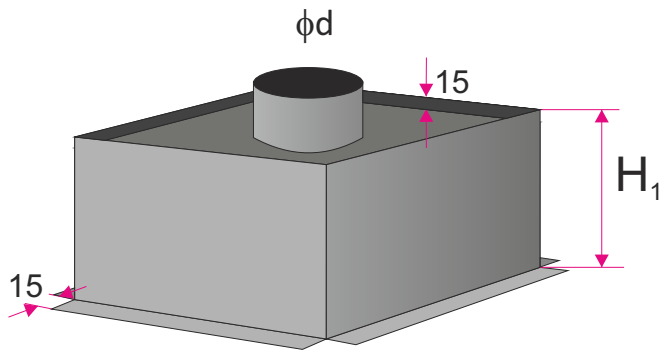


| B \ A | 301 | 357 | 412 | 469 | 498 | 595 | 623 |
|-------|--|-------|-------|-------|-------|-------|-------|
| | Aef (m ²) - effective area | | | | | | |
| 245 | 0,015 | 0,020 | 0,025 | 0,033 | 0,037 | 0,047 | 0,051 |
| 301 | | 0,025 | 0,033 | 0,041 | 0,045 | 0,060 | 0,063 |
| 357 | | | 0,037 | 0,047 | 0,051 | 0,065 | 0,072 |
| 412 | | | | 0,055 | 0,060 | 0,080 | 0,086 |
| 469 | | | | | 0,070 | 0,092 | 0,098 |
| 498 | | | | | | 0,098 | 0,103 |
| 595 | | | | | | | 0,125 |

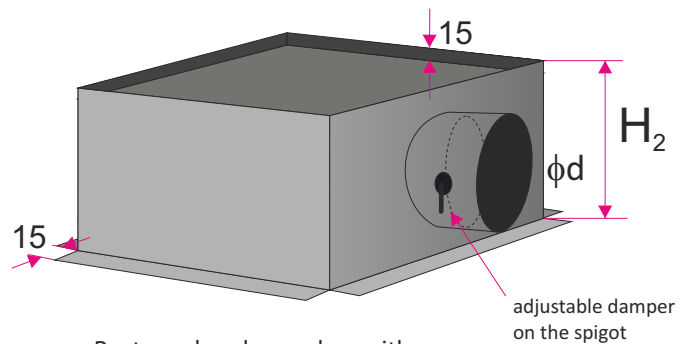
Other dimensions are produced on customer request

Accessories- plenum box

Plenum box is made of galvanized steel. On request it can be equipped with a damper control onto the connected spigot. The plenum box can be isolated inside with rubber (acoustic) or outside with mineral wool (thermal). In the standard height of the plenum box is adapted to size of the spigot or diffuser size (you can specify the height of the plenum box).



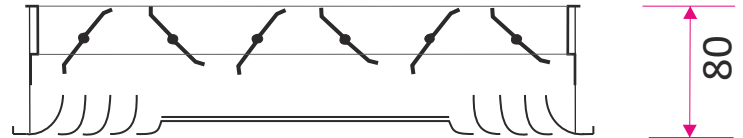
Rectangular plenum box with the spigot on the top **SR-Gc**



Rectangular plenum box with the spigot on the side **SR-Bc**

Accessories - damper with counter running blades GP

Anemostat can also be equipped with a damper with counter running blades, localized directly behind the anemostat. Damper control is possible from the panel side, after previous disassembly the diffuser.

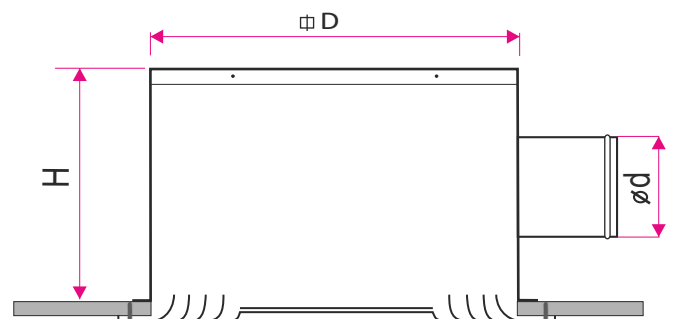


Methods of mounting

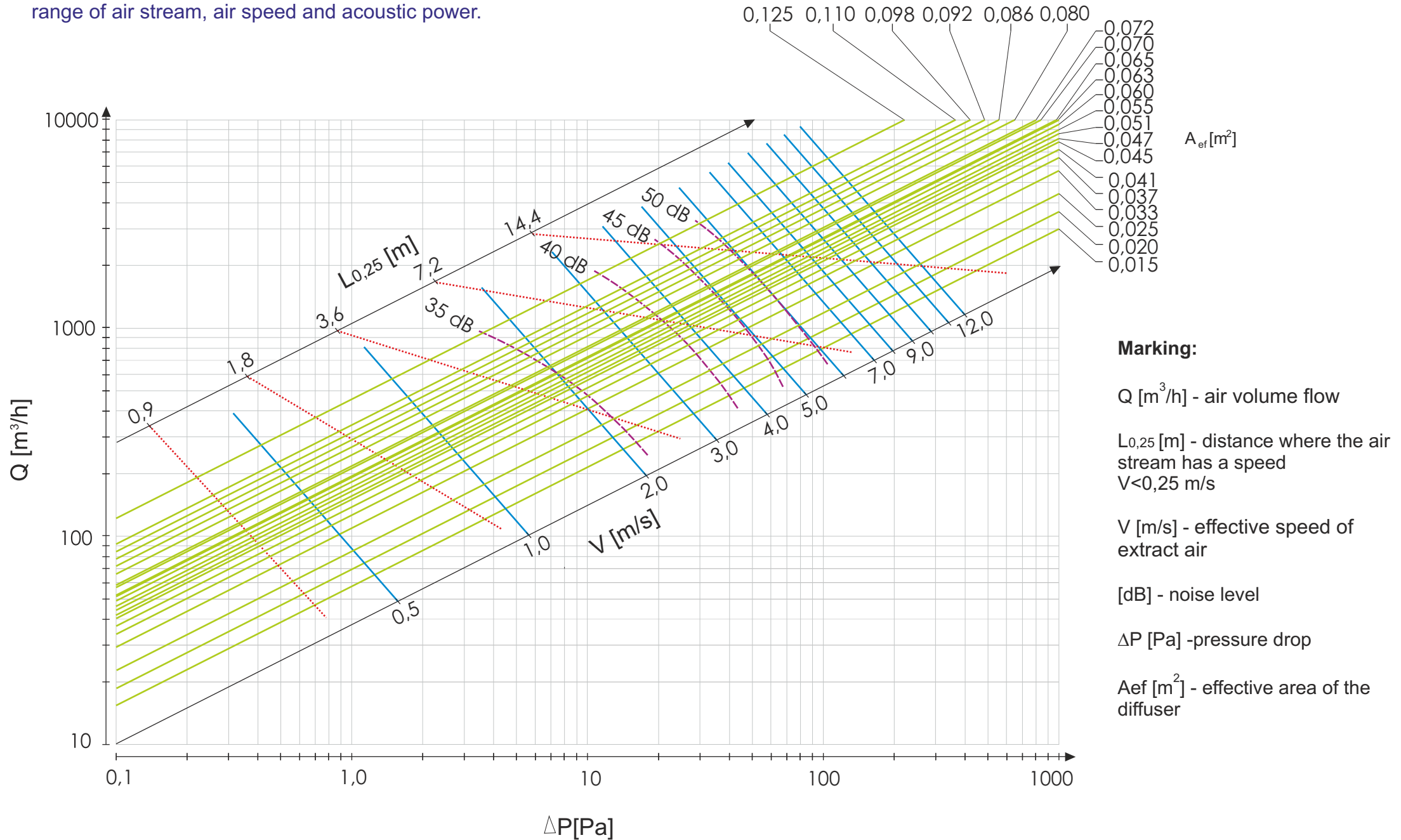
Rectangular diffusers are mounted in the ceiling by screws and the mounting holes in faceplate of diffuser.

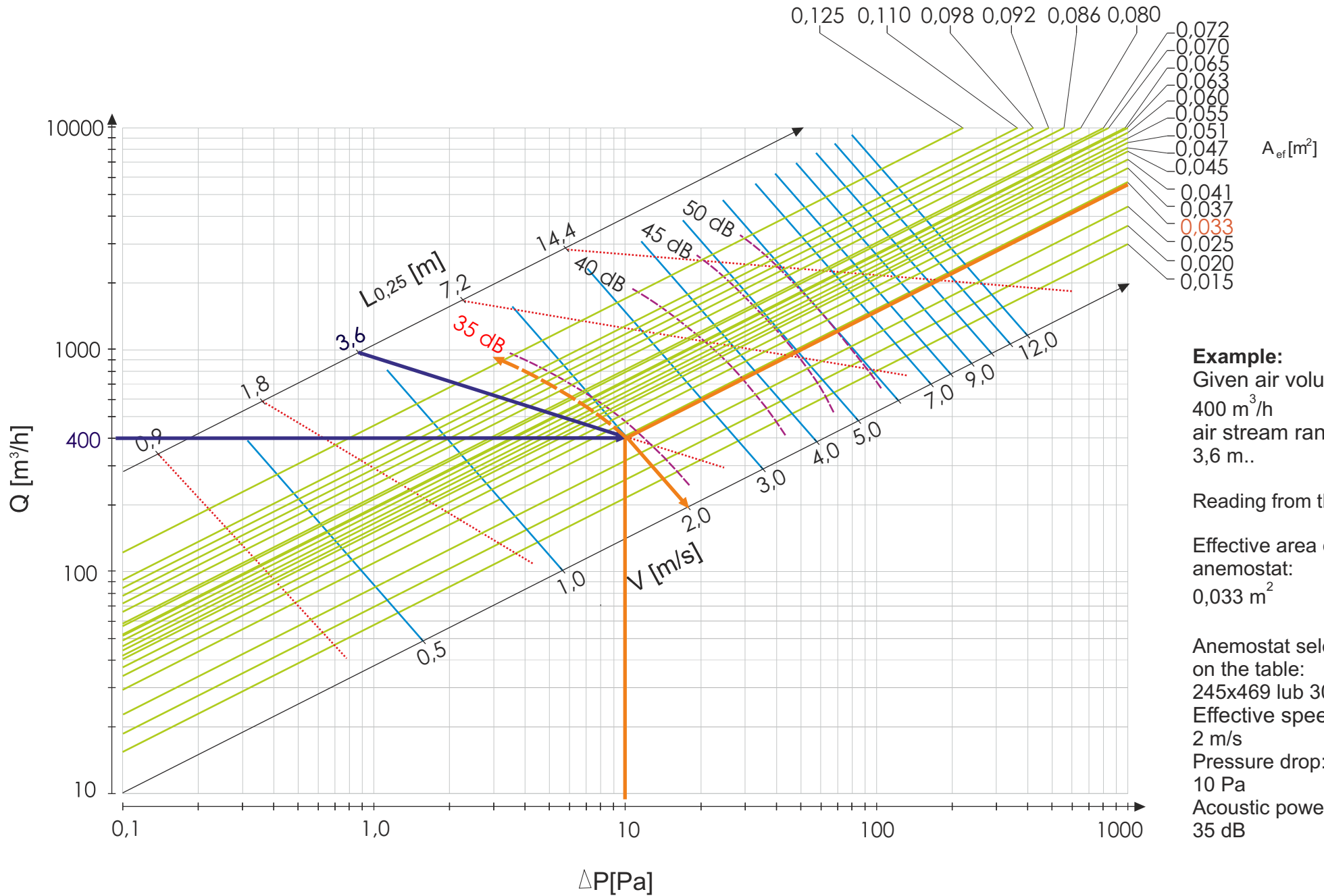


Assembling visible using screws and the mounting holes in the anemostat faceplate.



The dependence of the air flow from pressure drop, including range of air stream, air speed and acoustic power.





Example:
 Given air volume flow:
 400 m³/h
 air stream range:
 3,6 m..

Reading from the graph:

Effective area of
 anemostat:
 0,033 m²

Anemostat selected based
 on the table:
 245x469 lub 301x412
 Effective speed of extract air:
 2 m/s
 Pressure drop:
 10 Pa
 Acoustic power:
 35 dB

The method of placing an order

Please make orders according to the following formula:

ANP / 'R' / 'N' / 'G' / 'RAL' / 'M' + 'SR' / 'I' / 'P' / 'K' / 'H'

| | |
|-------|---|
| 'R' | the size of the anemostat AxB |
| 'N' | directions of air flow: 1-direction, 2-directions, 3-directions or 4-directions |
| 'G' | adjustment by damper none - anemostat without damper GP - regulation by damper with counter running blades behind anemostat |
| 'RAL' | diffuser color according to RAL palette (standard RAL9016*) |
| 'M' | material: ST - powder coated steel* AL - aluminum powder coated KO - stainless steel / acid proof steel (type 1.4301 or 1.4404) |
| 'SR' | plenum box: SR-Gc - plenum box with top spigot connection SR-Bc - plenum box with side spigot connection |
| 'I' | isolation: none - plenum box without isolation* Iz - outside isolation (thermal) Iw - inside isolation (acoustic) |
| 'P' | adjustment damper at spigot connection: none - no damper* P - damper on spigot connection adjustable from the outside PP - damper on spigot connection adjustable from the inside |
| 'K' | diameter spigot connection in size mm |
| 'H' | the height of the plenum box in mm* |

* - If you don't give the information will be used standard parameters.