

Description and application

Ceiling diffusers are designed for gravity ventilation, low and medium pressure systems and air conditioning systems, air intake and exhaust. Diffusers on modular plates are recommended especially for mounting on a suspended ceiling construction. The air flow adjusted with a damper with counter running blades GP located directly behind the anemostat or single-leaf damper P on plenum box spigot. Diffusers enable the directing air flow in 1-, 2-, 3- and 4 sides.

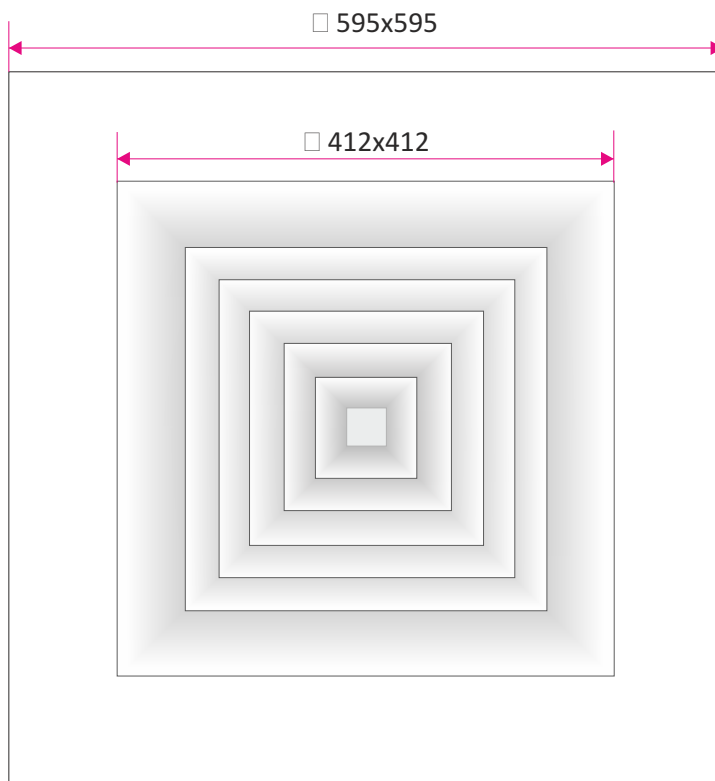
Anemostat diffuser has Hygienic Certificate HK/K/0522/01/2016

Material and workmanship

ANM intake anemostat diffuser placed in a modular plate 595x595 (possible other dimensions of modular plates). Anemostats are made of galvanized sheet steel powder coated, standard on the white color 9016. On customer request can be powder coated to any color from the RAL palette and special execution of stainless steel or aluminum.

Size

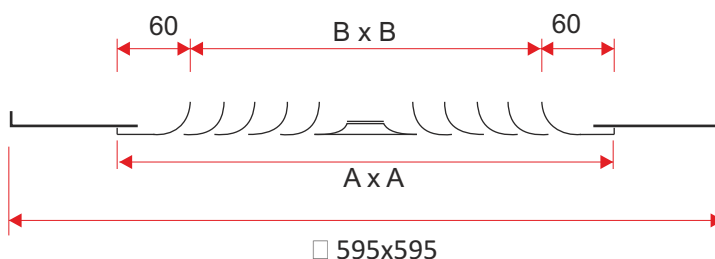
EXAMPLE:



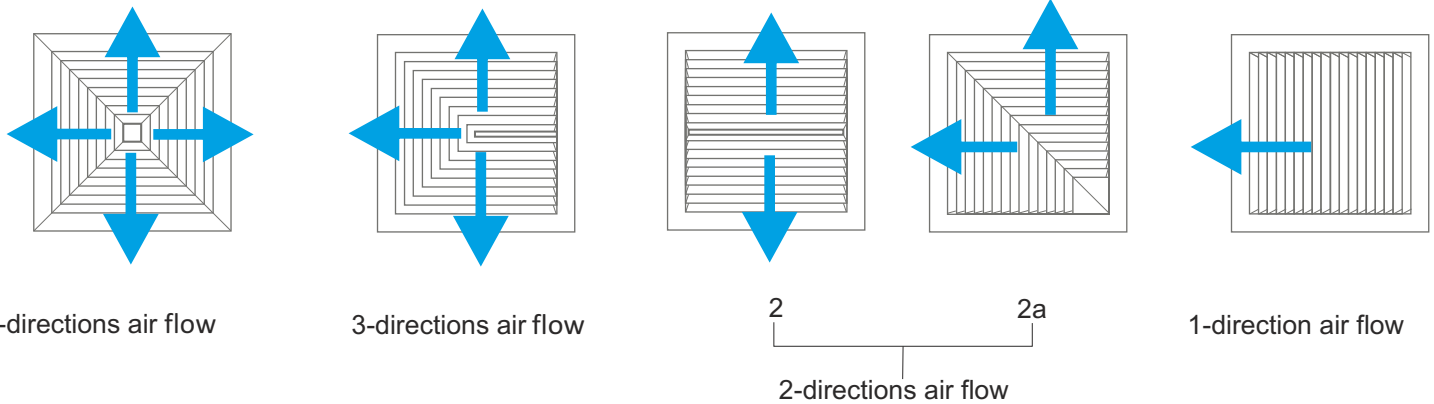
Anemostat diffusers are manufactured on order. Sizes mounted in the panel from 0 to 6. Dimensions of the diffuser according to the following table.

Size	A	B	panel *
0	190x190	70x70	595x595
1	245x245	125x125	595x595
2	301x301	181x181	595x595
3	357x357	237x237	595x595
4	412x412	292x292	595x595
5	469x469	349x349	595x595
6	498x498	378x378	595x595

*Other dimensions are produced on customer request

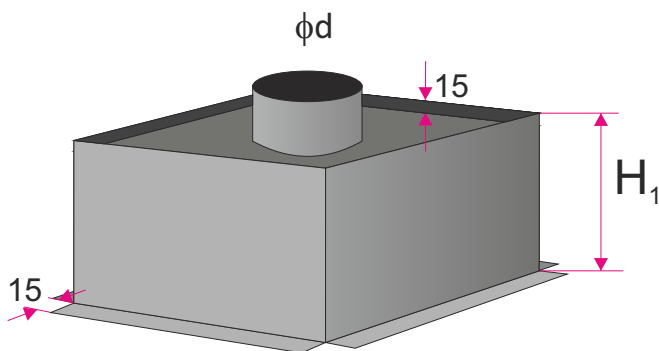


Workmanship - direction of air flow (EXAMPLE)

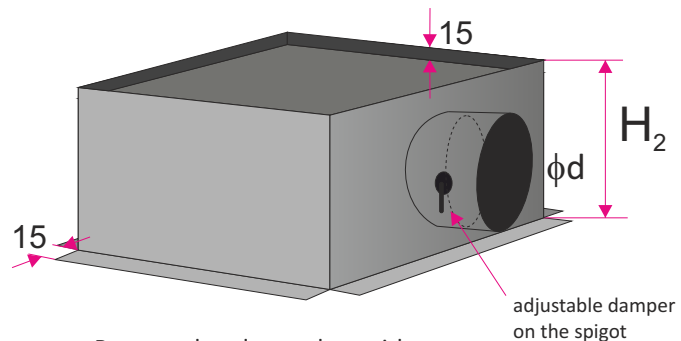


Accessories- plenum box

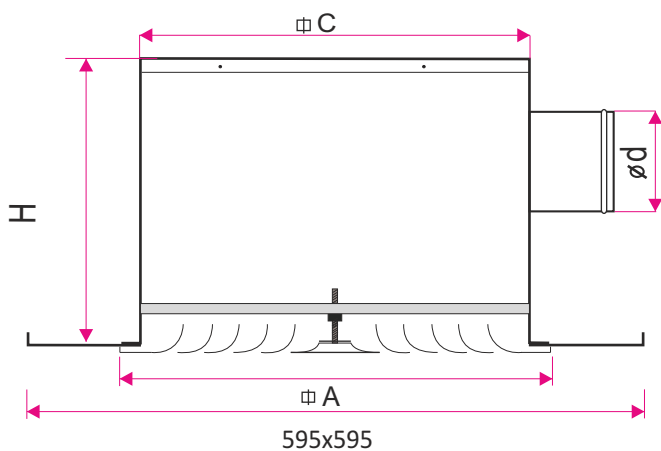
Plenum box is made of galvanized steel sheet. On request it can be equipped with a damper control onto the connected spigot. The plenum box can be isolated inside with rubber (acoustic) or outside with mineral wool (thermal). In the standard height of the plenum box is adapted to size of the spigot or diffuser size (you can specify the height of the plenum box).



Rectangular plenum box with the spigot on the top **SR-Gc**



Rectangular plenum box with the spigot on the side **SR-Bc**

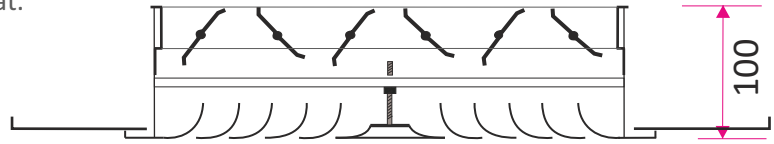


A	C	H1	H2	ϕd
190x190	149x149	310	280	123
245x245	204x204	310	280	158
301x301	260x260	310	280	158
357x357	316x316	310	280	198
412x412	372x372	310	280	198
469x469	428x428	310	330	248
498x498	457x457	310	330	248
595x595	557x557	310	380	313
623x623	582x582	310	380	313

Other dimensions are produced on customer request

Accessories - damper with counter running blades GP

Anemostat can also be equipped with a damper with counter running blades, localized directly behind the anemostat. Damper control is possible from the panel side, after previous disassembly the diffuser.



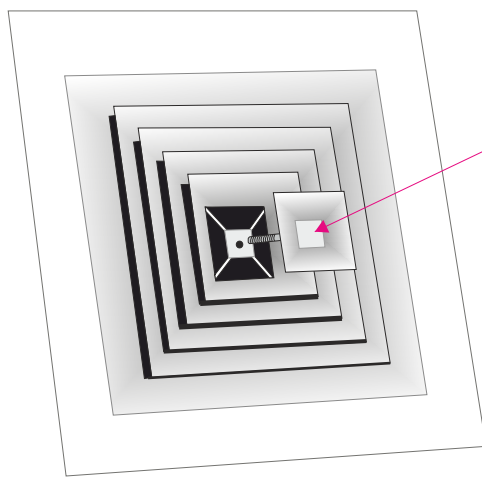
Methods of mounting



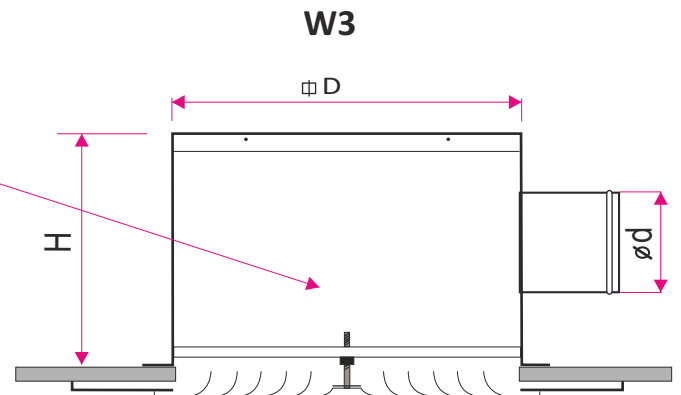
Assembly invisible on the construction of the suspended ceiling
- diffuser panel 595x595 - anemostat without mounting holes in the panel.



Assembly visible using screws and the mounting holes in the diffuser frame.



central screw

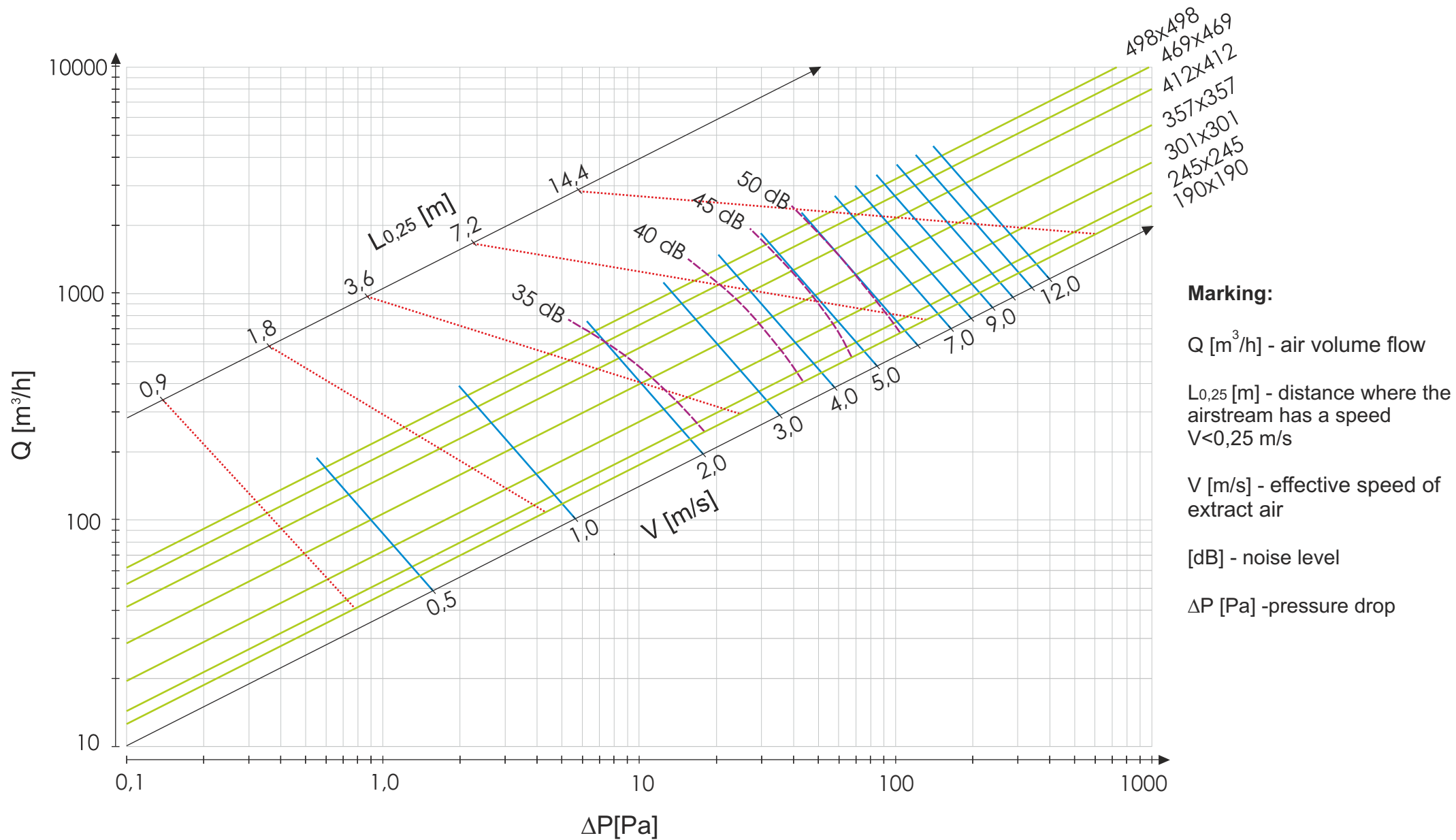


Central assembly through the crossbar (WMC) mounted in the plenum box and the central mounting screw.

Technical characteristics - quick selection.

Size	357x357		412x412		469x469		498x498		595x595		623x623	
Amount of air [m ³ /h]	volume [dB]	air velocity at the diffuser [m/s]	volume [dB]	air velocity at the diffuser [m/s]	volume [dB]	air velocity at the diffuser [m/s]	volume [dB]	air velocity at the diffuser [m/s]	volume [dB]	air velocity at the diffuser [m/s]	volume [dB]	air velocity at the diffuser [m/s]
300	< 35	1,5	< 35	1	< 35	< 1	< 35	< 1	< 35	< 1	< 35	< 1
400	35	2	< 35	1,5	< 35	1,2	< 35	1,1	< 35	< 1	< 35	< 1
500	37	2,5	< 35	1,9	< 35	1,6	< 35	1,4	< 35	< 1	< 35	< 1
600	38	3	36	2,3	35	2	35	1,8	< 35	1,1	< 35	1
700	40	3,5	37	2,6	36	2,2	36	2	< 35	1,4	< 35	1,3

The dependence of the air flow from pressure drop, including range of air stream, air speed and acoustic power.



Marking:

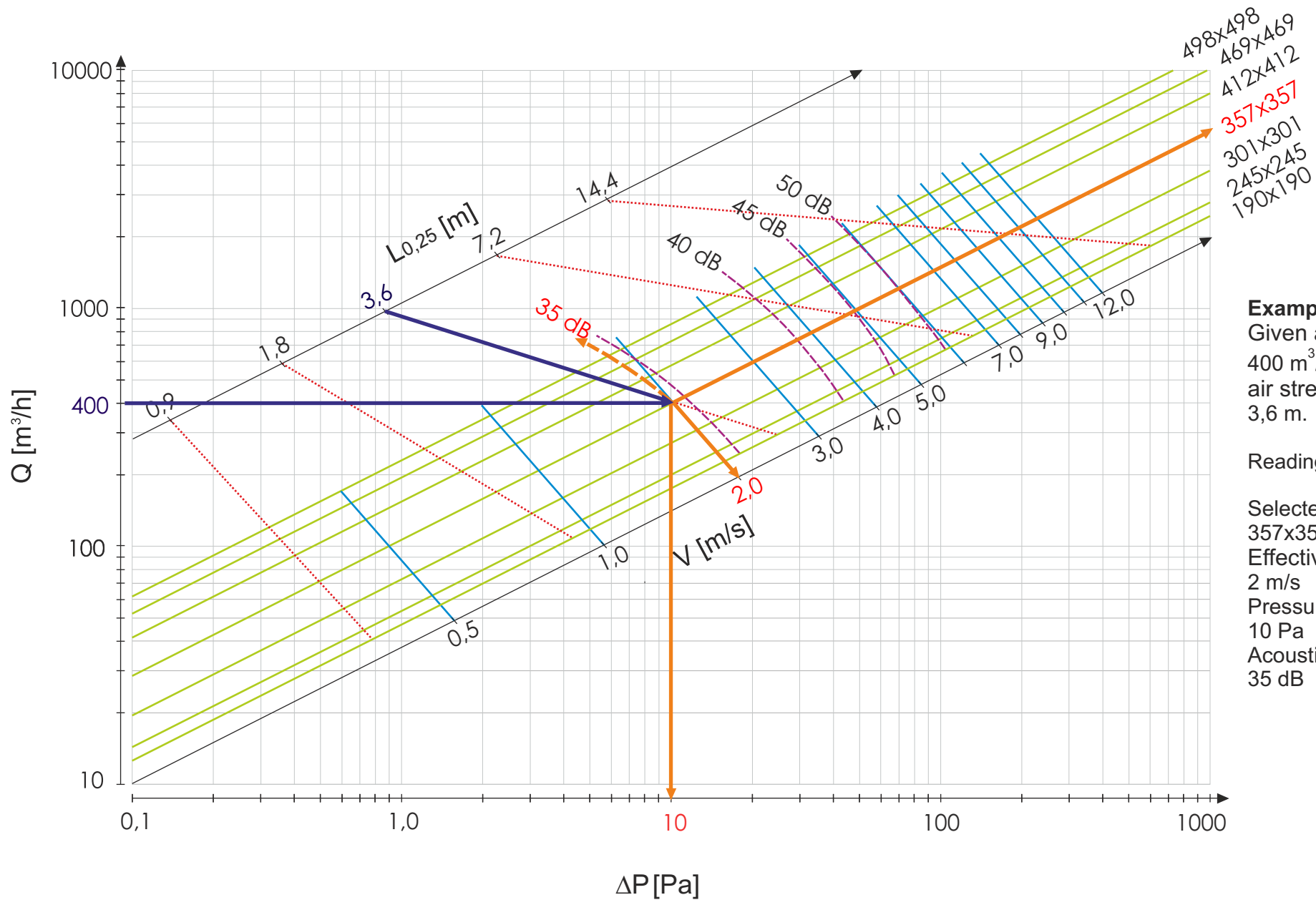
Q [m³/h] - air volume flow

$L_{0,25}$ [m] - distance where the airstream has a speed $V < 0,25$ m/s

V [m/s] - effective speed of extract air

[dB] - noise level

ΔP [Pa] - pressure drop



Example:
 Given air volume flow:
 400 m³/h
 air stream range:
 3,6 m.

Reading from the graph:

- Selected anemostat:
357x357
- Effective speed of extract air:
2 m/s
- Pressure drop:
10 Pa
- Acoustic power:
35 dB

The method of placing an order

Please make orders according to the following formula:

ANM - 'Ra' / 'Rp' / 'N' / 'G' / 'RAL' / 'M' / 'W' + 'SR' / 'I' / 'P' / 'K' / 'H'

'Ra'	the size of the modular panel (standard 595x595*)
'Rp'	the size of the anemostat: 0, 1, 2, 3, 4, 5, 6
'N'	directions of air flow: 1-direction, 2-dr, 3-dr lub 4-dr
'G'	adjustment by damper none - anemostat without damper GP - regulation by damper with counter running blades behind anemostat
'RAL'	diffuser color with modular plate according to RAL palette (standard RAL9016*)
'M'	material: ST - powder coated steel* AL - aluminum powder coated KO - stainless steel / acid proof steel (type 1.4301 or 1.4404)
'W'	mounting option: W1 - assembly invisible on the construction of the suspended ceiling W2 - visible assembly with screws W3 - the central assembly using the crossbar (in plenum box)
'SR'	plenum box: SR-Gc - plenum box with top spigot connection SR-Bc - plenum box with side spigot connection
'I'	isolation: none - plenum box without isolation* Iz - outside isolation (thermal) Iw - inside isolation (acoustic)
'P'	adjustment damper at spigot connection: none - no damper* P - damper on spigot connection adjustable from the outside PP - damper on spigot connection adjustable from the inside
'K'	diameter spigot connection in size mm
'H'	the height of the plenum box in mm*

* - If you don't give the information will be used standard parameters.