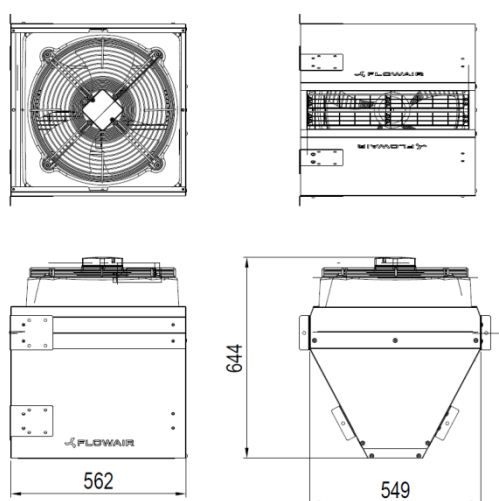




SPECIFICATION SHEET ELiS G1-N-50

KK/ELISG/22.04.2014 EN

MAIN DIMENSIONS



GENERAL INFORMATION

ELiS G air curtain generating an air barrier which protects interior from external environment (its temperature, solids and smog). ELiS G is dedicated to operate indoor, in the areas where ambient temperature is in range $-20 \div +60$. ELiS G can be mounted in vertical or horizontal position and chained with next ELiS G creating wider air barrier. Flowair offer dedicated connecting kit for chained units and control system for one or up to 3 air curtains.

TECHNICAL DATA

ELiS G-N-50	
Air stream range [m]*	7,5
Max air flow [m ³ /h]	3000
Power supply [V/Hz]	230 / 50
Fans current consumption [A]	1,5
Fans power consumption [kW]	0,33
Max acoustic pressure level [dB(A)**]	51
Housing material	Zinc coated steel + plastic
Fan type	axial, single phase, AC
Place of installation	Indoors
Mounting position	Vertical , Horizontal (under the ceiling)
Fans IP / Isolation class	54
Weight [kg]	19,3

* isothermal vertical stream range, at 3 m/s breakpoint velocity

** acoustic pressure level has been measured 2m from the unit in a 1500m³ space with medium sound absorption coefficient